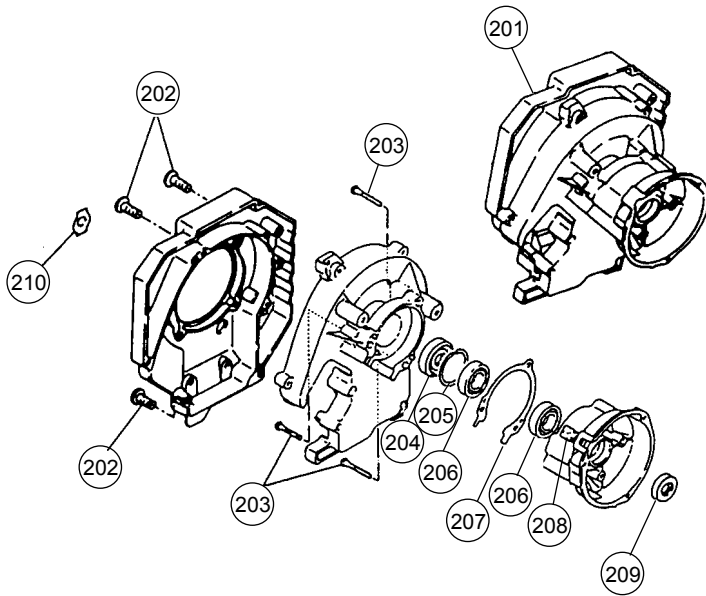
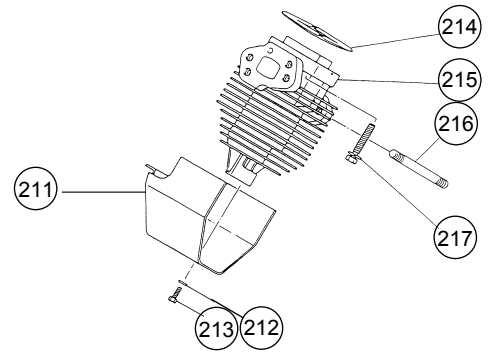


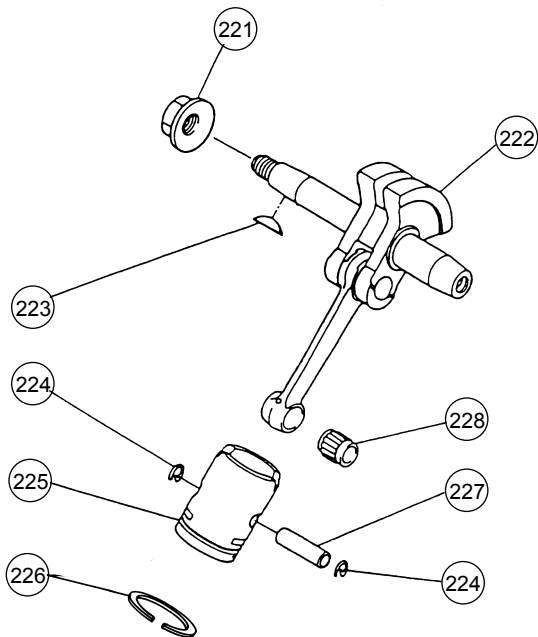
CRANK CASE SYSTEM



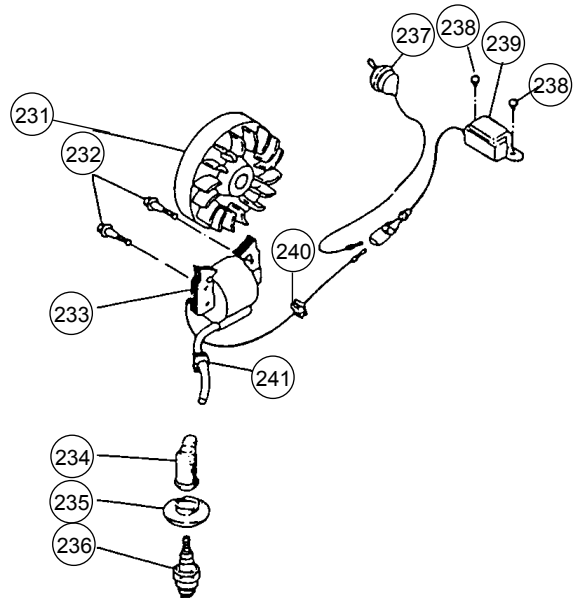
CYLINDER & CYLINDER COVER SYSTEM



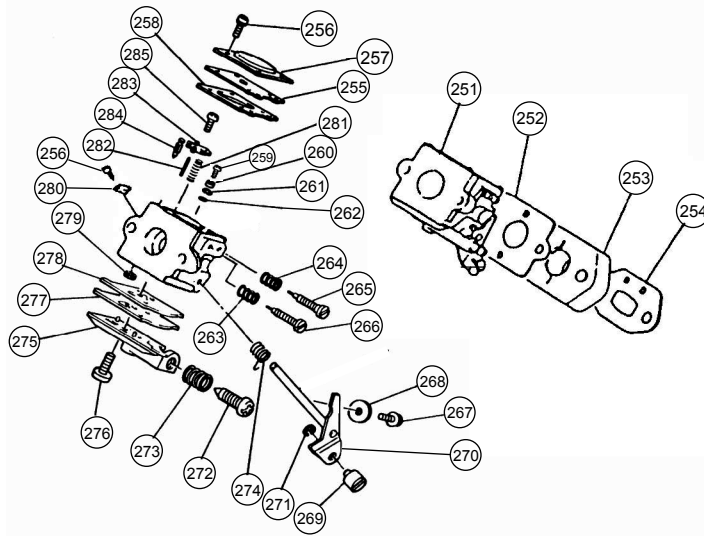
CRANKSHAFT & PISTON SYSTEM



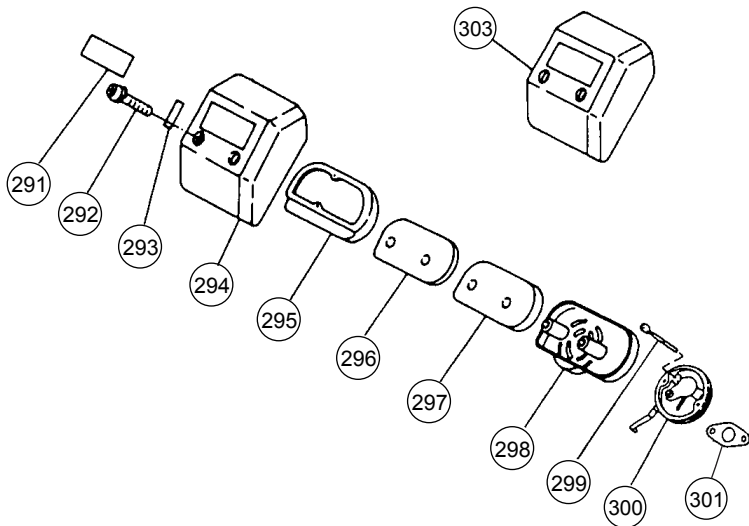
FLYWHEEL MAGNETO SYSTEM



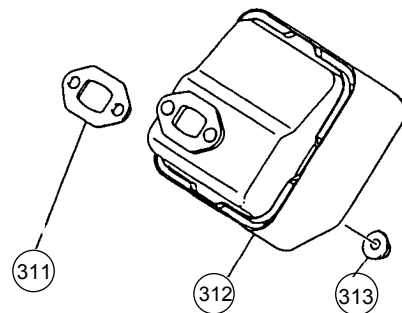
CARBURETOR SYSTEM



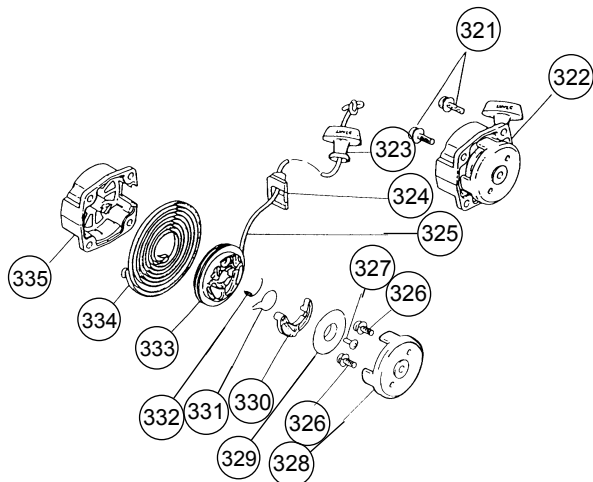
AIR CLEANER SYSTEM



MUFFLER SYSTEM



RICOIL STARTER SYSTEM



FUEL TANK SYSTEM

